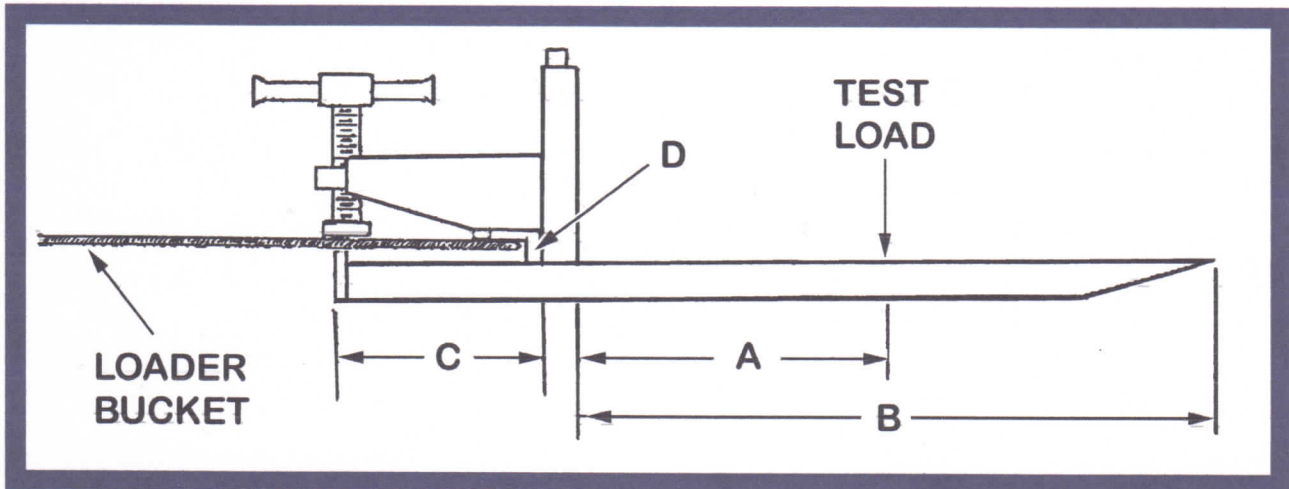


# SPECIFICATIONS



**Earth'sTurf**

## CLAMP-ON FORKS



CLAMP-ON FORK		A	B	C	D	ACTUAL WEIGHT
<b>ECONOMY</b>						
800#	1½ X 3 CHANNEL	16"	32"	11"	¾"	34# (68# PAIR)
1500#	1½ X 3HD CHANNEL	17"	34"	11"	1"	44# (88# PAIR)
<b>STANDARD</b>						
1000#	2 X 3 X .150 TUBE	16"	32"	11"	1"	45# (90# PAIR)
2000#	2 X 3 X .250 TUBE	18"	36"	11"	1½"	54# (110# PAIR)
3000#	4 X 2 X .250 TUBE	21"	42"	11"	1¼"	80# (160# PAIR)
4000#	4 X 2 X .313 TUBE	21"	42"	11"	1¾"	83# (170# PAIR)
6000#	5 X 3 X .375 TUBE	24"	49"	12"	2¼"	137# (275# PAIR)

**EARTH & TURF PRODUCTS, LLC**  
 112 SOUTH RAILROAD AVENUE  
 NEW HOLLAND, PA 17557  
 PHONE: 888 693 2638  
 FAX: 877 243 2442  
[www.earthandturfattachments.com](http://www.earthandturfattachments.com)